

MODEL 212

DC BRUSHLESS SAMPLING PUMP

Designed for the collection of marine samples from ROV's & manned submersibles & for other subsea applications.

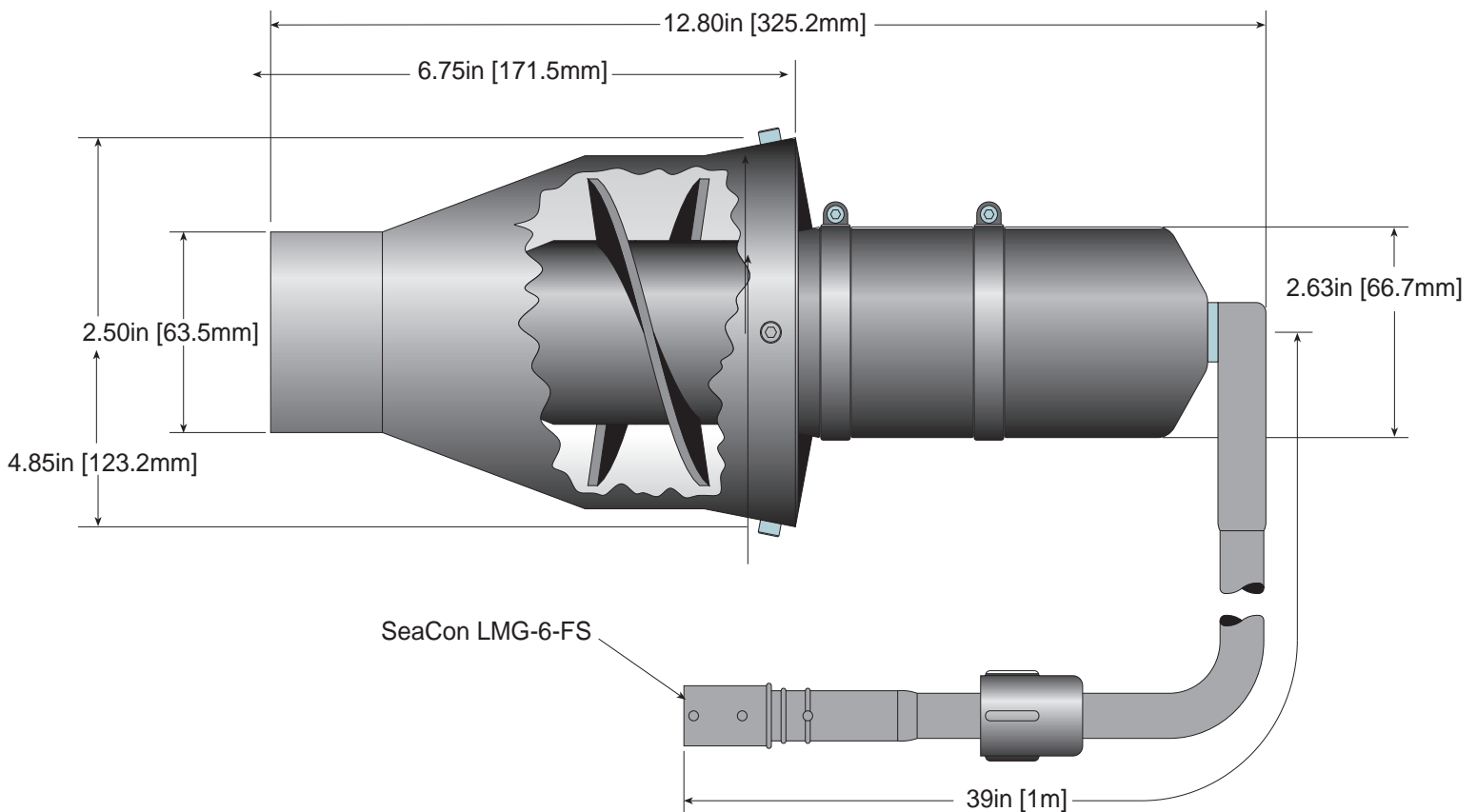
Maximum flow rate of 250 gallons per minute (950 liters / min) using 2.5in (63.5mm) ID hose.

Features 150 volt DC brushless rare earth motor for maximum reliability & power.

Voltages from 48-280 volts also available.

Control electronics housed within motor case for maximum reliability & simplified installation.

4in (102mm) diameter aluminum impeller with magnetic coupling for 750 meter depth rating without any shaft seals.



Flow
250 gallons / minute
946 liters / minute
(without hose attached)

Input
150 VDC, 9.0A power
Power ground
+/- 12V elec power
+/-5 V speed command
Signal ground

Weight
8.0lb (3.6kg) in air
6.5lb (3.0kg) in water

Depth
2,500ft (750m) std
5,000ft (1,500m) opt'nl
Oil filled (full ocean
depth) opt'nl

Specifications subject to change without notice